



TWG SERIES

THEREE-PHASE A.C. SYNCHRONOUS BRUSHLESS GENERATOR

TFWL Series three-phase A.C. Synchronous brushless generator absorb international advanced technology of manufacturing electric machinery. It's the new-type designed and developed A.C. synchronous generator by ourselves.

This series generators accord with most of international standards, also accord with the following standards;

International Electrician Committee Command Standard IEC34

International Standardization Organization Command Standard ISO8528

NEMA Standard

The products have outstanding performance, reliable quality, convenient maintenance. The generator and the engine can be connected with steel or flexible material. As a small-type generating station, it can be used in factories, buildings and worksites for lightening and electric power source.

MECHANICAL SPECIFICATION

Steel frame

Cast iron cover

Excellent silicon steel chip

Import bearing

Mounting type:

Single bearing with standard SAE connection and SAE driving chip

Double bearing with standard shaft extension and flange connection cover

ELECTRIC PERFORMANCE

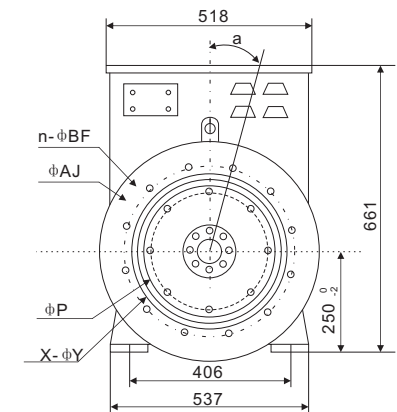
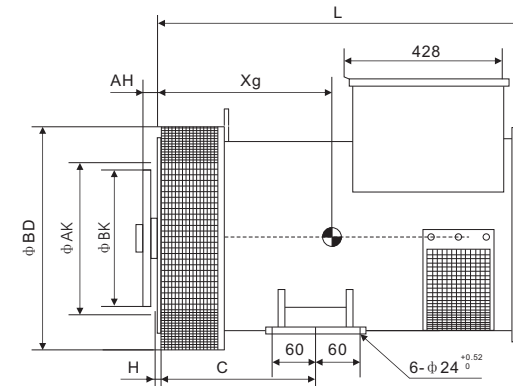
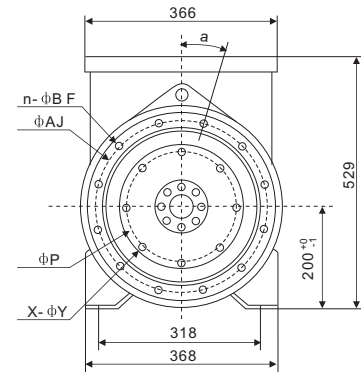
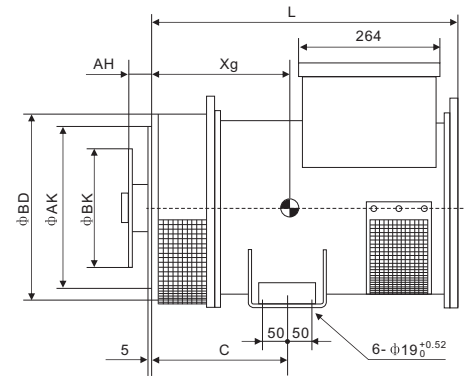
The rated voltage is 400V. The frequency is 50Hz. The speed is 1500r/min. it's three phase four-wire type with brushless exciting system. Insulation class: H; Protection class: IP21; Steady-state voltage regulation rate $\leq \pm 1\%$; Transient-state voltage $\leq \pm 20\%$; The line voltage waveform distortion rate $\leq 5\%$; Voltage adjust range $\geq \pm 10\%$ UN; Ambient temperature $\leq \pm 40^\circ\text{C}$; Altitude $\leq 1000\text{m}$; Air relative humidity $\leq 90\%$.

PERFORMANCE SPECIFICATIONS

Model	Rated Output (KW)	Rated Capacity (KVA)	Rated Voltage (V)	Rated Current (A)	Volt. adjust	Power Factor (Cos φ)	Rated Speed (r/min)
TWG-10	10	12.5	400	18.1	± 1%	0.8	1500
TWG-12	12	15		21.7			
TWG-16	16	20		28.8			
TWG-20	20	25		36.1			
TWG-24	24	30		43.3			
TWG-30	30	37.5		54.1			
TWG-40	40	50		72.2			
TWG-50	50	62.5		90.2			
TWG-64	64	80		115.6			
TWG-75	75	93.75		135.5			
TWG-90	90	112.5		162.5			
TWG-100	100	125		180.4			
TWG-120	120	150		216.1			
TWG-150	150	187.5		271			
TWG-160	160	200		288.6			
TWG-180	180	225		324.7			
TWG-200	200	250		360.8			
TWG-220	220	275		396.8			
TWG-250	250	312.5		451			
TWG-280	280	350		505			
TWG-300	300	375	541				
TWG-320	320	400	577				
TWG-350	350	437.5	631.5				
TWG-400	400	500	721.7				
TWG-450	450	562.5	813				
TWG-500	500	625	903				
TWG-600	600	750	1084				
TWG-720	720	900	1300				
TWG-800	800	1000	1445				

TWG 200-4 Single Bearing Dimension (mm)

TWG 250-4 Single Bearing Dimension (mm)



Dimension(mm)

Model	C	L	Xg	Kg
TWG-10	209	553	302	147
TWG-12	209	553	307	158
TWG-16	209	553	309	163
TWG-20	239	596	312	169
TWG-24	239	596	317	179
TWG-30	239	596	327	194
TWG-40	289	650	342	234
TWG-50	289	733	364	282

Flex plate Flange	Disc7 1/2	Disc8	Disc10	Disc11 1/2
S.A.E.5	●			
S.A.E.4	●	●	●	
S.A.E.3		●	●	●
S.A.E.2				●

Dimension(mm)

output(kw)	C	L	Xg
64	378	830	335
75	378	830	335
90	418	912	365
100	418	912	395
120	458	957	420
150	458	1038	420

Flange dimension(mm)

S.A.E.NO	AK	AJ	a	n-phi BF	BD	H
3	409.575	428.625	15°	12-phi 11	450	6
2	447.67	466.72	15°	12-phi 12	488	6
1	511.17	530.22	15°	12-phi 12	554	6

Flange dimension(mm)

S.A.E.NO	AK	AJ	a	n-phi BF	BD
5	314.32	333.4	22.5°	8-phi 11	451
4	361.95	381	15°	12-phi 11	451
3	409.57	428.6	15°	12-phi 11	451
2	447.67	466.7	15°	12-phi 11	494

Flexplate dimension(mm)

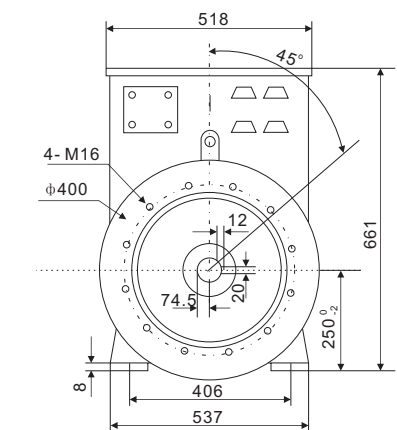
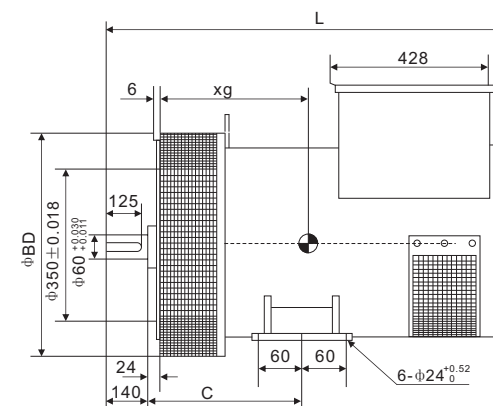
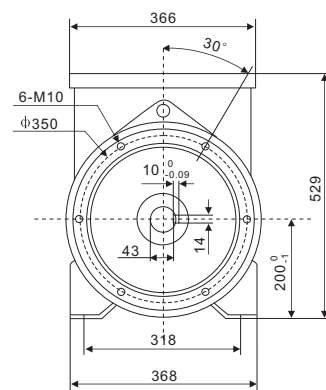
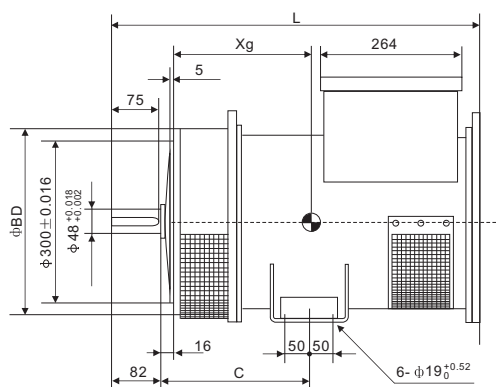
S.A.E.NO	BK	P	AH	X-phi Y
7 1/2	241.3	222.25	30.2	8-phi 9
8	263.52	244.47	62.0	6-phi 11
10	314.32	295.27	53.8	8-phi 11
11 1/2	352.42	333.38	39.6	8-phi 11

Flexplate dimension(mm)

S.A.E.NO	BK	P	AH	X-phi Y
14	466.72	438.15	25.4	8-phi 14
11 1/2	352.42	333.38	39.6	8-phi 11
10	314.32	295.28	53.8	8-phi 11

TWG 200-4 Double Bearing Dimension (mm)

TWG 250-4 Double Bearing Dimension (mm)



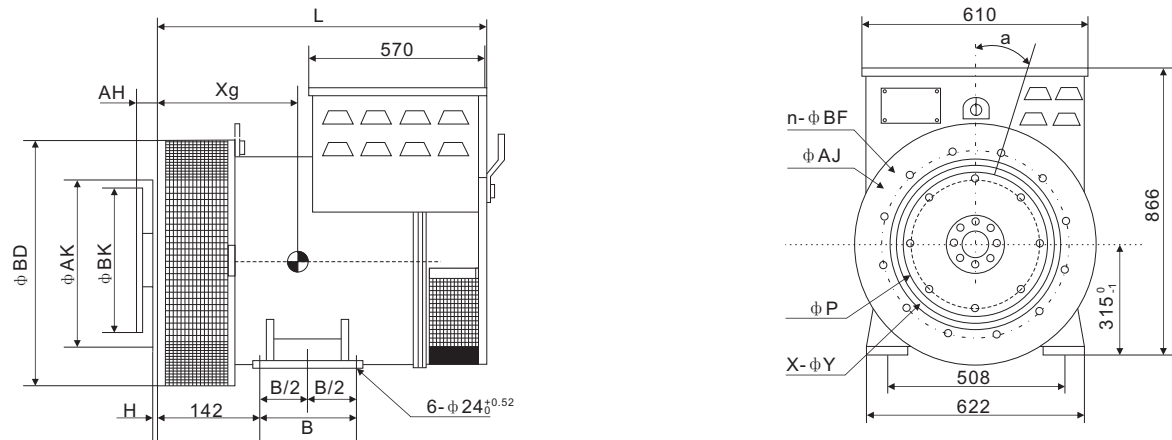
Dimension(mm)

Model	C	L	Xg	BD	Kg
TWG-10	225	651	294	408	156
TWG-12	225	651	299	408	167
TWG-16	225	651	302	408	172
TWG-20	255	694	305	408	178
TWG-24	255	694	310	408	188
TWG-30	255	694	321	408	203
TWG-40	305	748	336	408	243
TWG-50	305	831	359	408	291

Dimension(mm)

Output(kw)	C	L	Xg	BD
64	410	948	360	450
75	410	948	360	450
90	450	1030	390	450
100	450	1030	420	450
120	490	1075	450	450
150	490	1156	450	450

TWG 315-4 Single Bearing Dimension (mm)



Dimension(mm)

output(kw)	B	L	Xg
150 180 200	236	976	473
250 280	350	1096	532
300 320 350	510	1256	612
400	530	1325	646

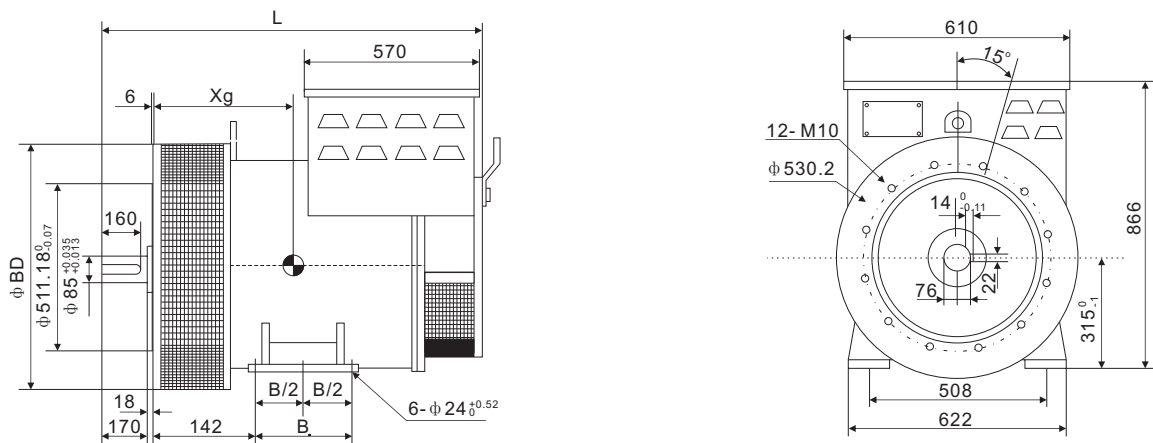
Flange dimension(mm)

S.A.E.NO	AK	AJ	a	n-φBF	BD	H
2	447.67	466.72	15°	12-φ12	698	5
1	511.17	530.22	15°	12-φ12	698	6
1/2	584.12	619.12	15°	12-φ14	698	6
0	647.7	679.45	11.5°	16-φ14	732	6

Flexplate dimension(mm)

S.A.E.NO	BK	P	AH	X-φY
11 1/2	352.42	333.38	39.6	8-φ11
14	466.72	438.15	25.4	8-φ14
10	571.5	542.92	15.7	6-φ18

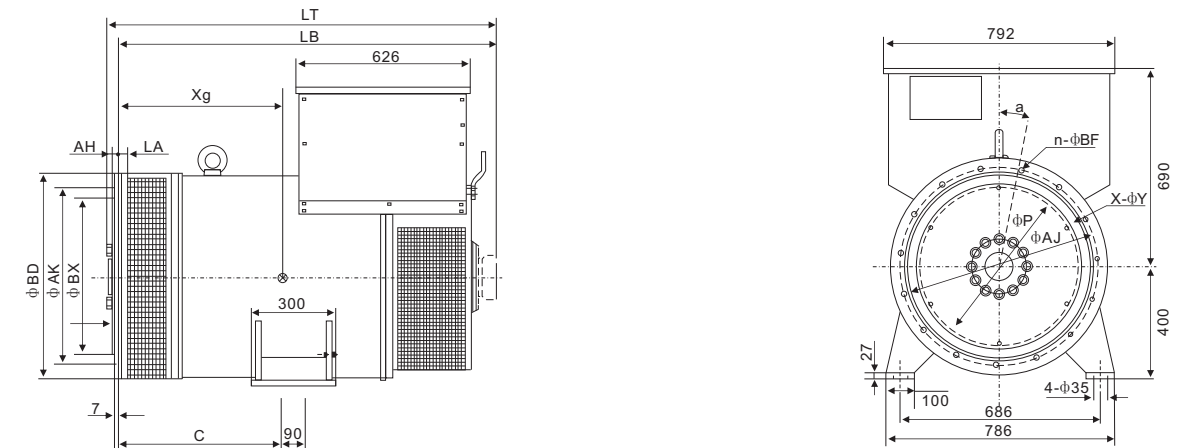
TWG 315-4 Double Bearing Dimension (mm)



Enson(mm)

Output(kw)	B	L	Xg	BD
150 180 200	236	1125	434	698
250 280	350	1245	493	698
300 320 350	510	1405	570	698
400	530	1474	605	698

TWG 355-4 Single Bearing Dimension (mm)



Dimension(mm)

Model	C	LB	LT	Xg	Kg
TWG-450	530	1201	1327	565	1405
TWG-500	560	1291	1417	609	1580
TWG-600	560	1351	1417	638	1670
TWG-720	650	1501	1627	712	1950
TWG-800	650	1551	1696	736	2040

Flange dimension(mm)

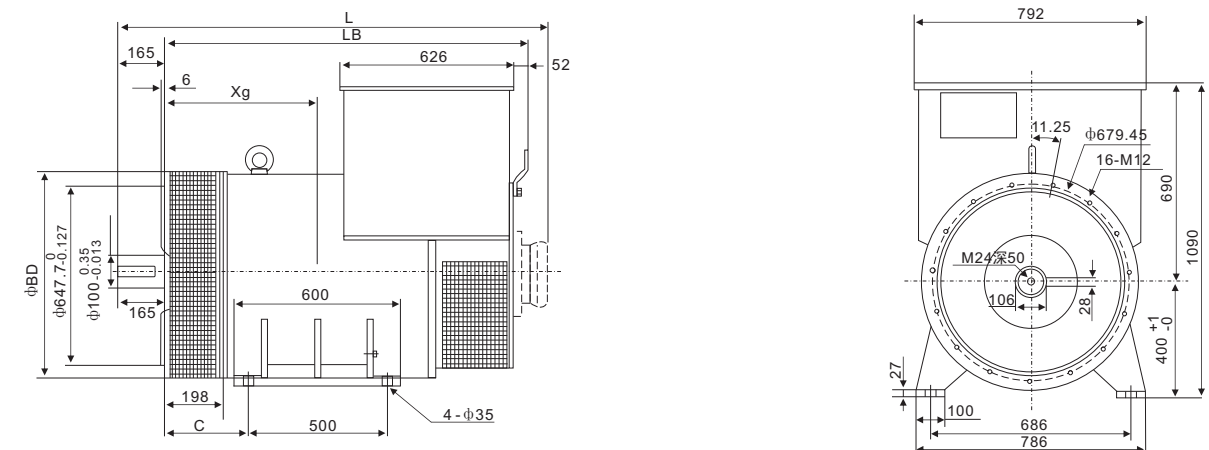
S.A.E.NO	AK	AJ	a	n-φBF	BD	LA
1	511.17	530.22	15°	12-φ12	753	17
1/2	584.2	619.12	15°	12-φ14	753	17
0	647.7	679.45	11.25°	16-φ14	753*	17
00	787.4	850.9	11.25°	16-φ14	883	20

Flex plate Flange	Disc11 1/2	Disc14	Disc18
S.A.E.1	●	●	
S.A.E.1/2		●	
S.A.E.0		●	●
S.A.E.00		●	●

Flexplate dimension(mm)

S.A.E.NO	BX	P	AH	X-φY
11 1/2	352.42	333.38	39.6	8-φ11
14	466.72	438.15	25.4	8-φ14
18	571.5	542.92	15.7	6-φ18

TWG 355-4 Double Bearing Dimension (mm)



Dimension(mm)

Model	C	L	LB	Xg	BD	Kg
TWG-450	290	1444	1209	546	753	1430
TWG-500	290	1534	1299	590	753	1605
TWG-600	290	1594	1359	619	753	1700
TWG-720	380	1744	1509	693	753	1980
TWG-800	380	1794	1559	717	883	2070